

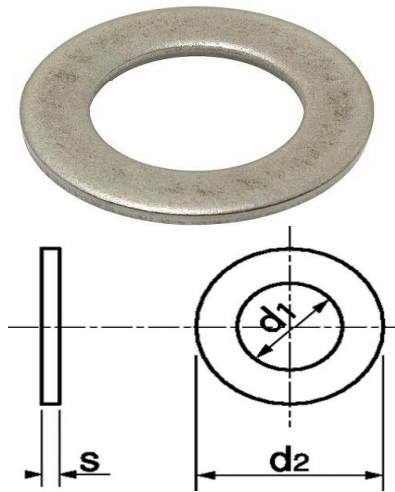
Tel: 0114 263 4422

Fax: 0114 263 4433

Email: [info@shop4fasteners.co.uk](mailto:info@shop4fasteners.co.uk)

Web: <http://www.shop4fasteners.co.uk>

## Flat washer - Form A DIN 125A



Available in Mild steel (BZP & Galvanised), Brass, Stainless Steel (A2 & A4). Others on request.

Size	Inside Diameter d1 (mm)	Outside Diameter d2 (mm)	Thickness s (mm)
M1	1.1	3.2	0.3
M1.2	1.3	3.8	0.3
M1.4	1.5	3.8	0.3
M1.6	1.7	4.0	0.3
M2	2.2	5.0	0.3
M2.5	2.7	6.0	0.5
M3	3.2	7.0	0.5
M3.5	3.7	8.0	0.5
M4	4.3	9.0	0.8
M5	5.3	10.0	1.0
M6	6.4	12.0	1.6
M7	7.4	14.0	1.6
M8	8.4	16.0	1.6
M10	10.5	20.0	2.0
M11	12.0	24.0	2.5
M12	13.0	24.0	2.5
M14	15.0	28.0	2.5
M16	17.0	30.0	3.0
M18	19.0	34.0	3.0
M20	21.0	37.0	3.0
M22	23.0	39.0	3.0
M24	25.0	44.0	4.0
M27	28.0	50.0	4.0
M30	31.0	56.0	4.0
M33	34.0	60.0	5.0
M36	37.0	66.0	5.0
M39	40.0	72.0	6.0
M42	43.0	78.0	7.0

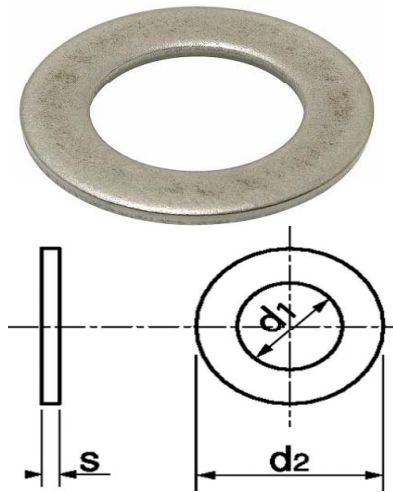
Tel: 0114 263 4422

Fax: 0114 263 4433

Email: [info@shop4fasteners.co.uk](mailto:info@shop4fasteners.co.uk)

Web: <http://www.shop4fasteners.co.uk>

## Flat washer - Form A DIN 125A



Available in Mild steel (BZP & Galvanised), Brass, Stainless Steel (A2 & A4). Others on request.

Size	Inside Diameter d1 (mm)	Outside Diameter d2 (mm)	Thickness s (mm)
M45	46.0	85.0	7.0
M48	50.0	92.0	8.0
M52	54.0	98.0	8.0
M56	58.0	105.0	9.0
M60	62.0	110.0	9.0
M64	66.0	115.0	9.0