



Tel: 0114 263 4422

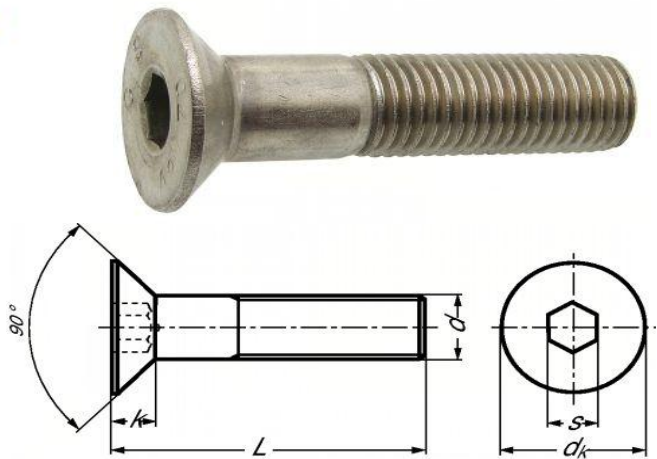
Fax: 0114 263 4433

Email: info@shop4fasteners.co.uk

Web: http://www.shop4fasteners.co.uk

Socket Countersunk Screws DIN 7991

Available in high tensile steel (Self colour, BZP & Galvanised), Stainless Steel (A2 & A4).



Size d	Head Diameter dk (mm)	Head Height k (mm)	Drive s (mm)
M2			
M2.5	5.0	1.2	1.5
M3	6.0	1.7	2.0
M4	8.0	2.3	2.5
M5	10.0	2.8	3.0
M6	12.0	3.3	4.0
M8	16.0	4.4	5.0
M10	20.0	5.5	6.0
M12	24.0	6.5	8.0
M14	27.0	8.1	10.0
M16	30.0	7.5	10.0
M20	36.0	8.5	12.0
M24 (60°)	38.0	14.22	14.0
M30 (60°)	53.0	21.65	17.0
M36 (60°)	57.0	23.0	19.0